

Bring your robot intelligence

AIDIN ROBOTICS

AIDIN ROBOTICS



AIDIN

ROBOTICS Inc. is a robot company that started from Robotics Innovation Laboratory in the Department of Mechanical Engineering at Sungkyunkwan University in South Korea. Our expertise lies in developing robotic system and AI-driven sensor technologies based on our Field Sensing technology, which we have been accumulating since 1995.

**The world's
leading
field sensing
technology**



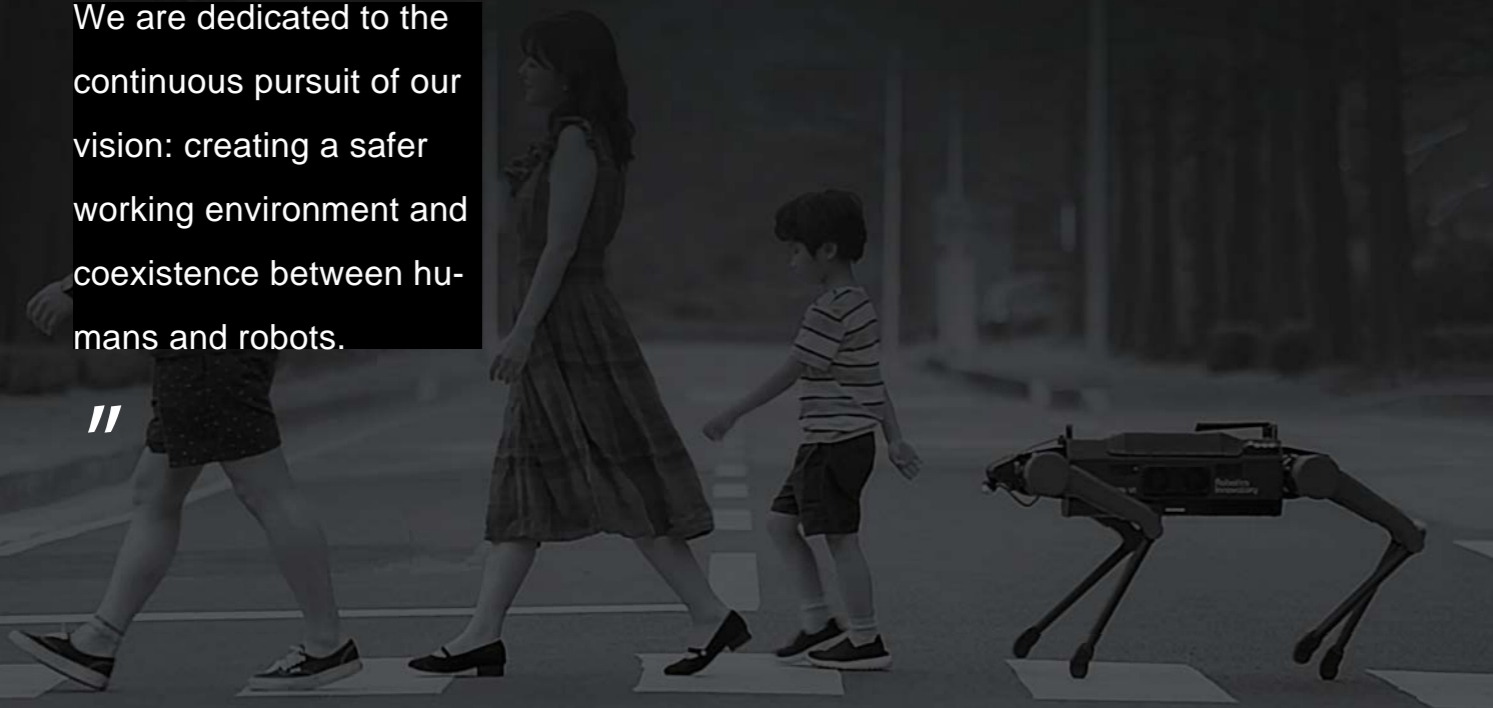
AIDIN ROBOTICS



//

We are dedicated to the continuous pursuit of our vision: creating a safer working environment and coexistence between humans and robots.

//



Bring Your Robot Intelligence

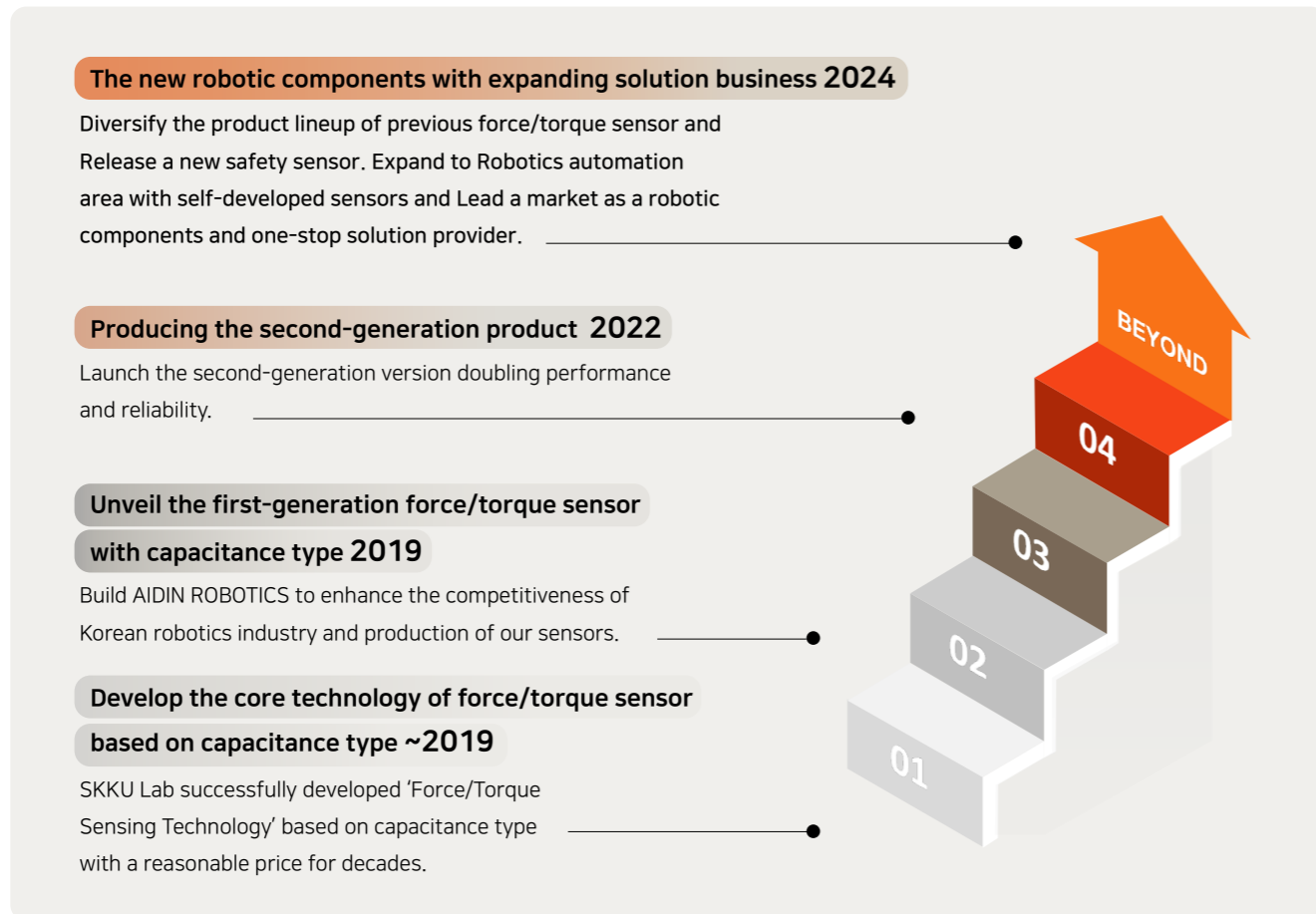
Our focus is on preventing accidents and improving productivity between humans and industrial/collaborative robots.

Products and Services:

- Multi-axis Force Torque Sensor
- Safety Sensor
- Robot Gripper
- Collaborative Robot Solution
- Industrial Solution with Robotic System

The Competitiveness of AIDIN ROBOTICS

The newest Power Sensing Technology which successfully overcomes the limitation of existing force/torque sensing based on capacitance.



Unique Source Technology for measuring capacitance

A manpower focusing on researching robot field

1/10 price compared to others

Leading a domestic market for miniature, 6-axis sensor

HISTORY

2019	Established corporation
2020	<ul style="list-style-type: none"> Selected as the excellent company of robotics company foundation support program in Gyeong-gi do Established Laboratory in company Selected as The beginning foundation support package program Certification of Venture Business & Technology with a limit under two billion Investment attraction from Future Play, Korea Development Bank Capital, Shinhan Bank capital Selected as Tech Incubator Program for Startup Award of R-biz Challenge from Korea Association of Robot Industry Award of Korea Robot Company of The Year 2020 Award of Excellent Product in ROBOTWORLD 2020
2021	<ul style="list-style-type: none"> Selected as Core-Tech Development Business in Robotics field (Task Scale 3 billion) Award of Korea Robot Company of The Year 2021 (Two years in a row) Award of Excellent Product in ROBOTWORLD 2021 (Two years in a row)
2022	<ul style="list-style-type: none"> Attraction of investment Series A (4.5 billion Scale) Selected as Managing department developing the customized torque sensor for service robot MOU Contract for the extension of AI technology corporation for quadruped robot with Snuailab Award of Korea Robot Company of The Year 2022 (Three years in a row) Award of Excellent Product in ROBOTWORLD 2022 (Three years in a row)
2023	<ul style="list-style-type: none"> Selected as Deeptech Incubator for startup 1000+ Participate in ICRA 2023 exhibition Contract for developing quadruped robot with POSCO Award in International Robot Contest & R-biz Challenge 2023 Award of Korea Robot Company of The Year 2023 (Four years in a row) Award of Excellent Product in ROBOTWORLD 2023 (Four years in a row) Certification of Quality Management System ISO9001:2015
2024	<ul style="list-style-type: none"> Selected as Cooperation Development Group of the evaluation focused on operating a skilled robot and supporting gripping performance (With Korea Electronics Technology Institute, National Institute of Standards and Technology)

Business Area

Robot Sensor

Our self-developed Force/Torque sensor could be adapted at various industrial robots and grippers. It provides controlling force, measuring torque, and detecting collision. In addition, We help to gauge any distance and contact force with an innovated safety sensor.

Smart Gripper

It could be combined and utilized following a use environment and manufacturing places with a competitive feature of parallel gripping mode, high-accuracy and high-speed.

Robotics Automation

Our self-developed technology of gripper, AI vision Algorithm could spread Force control solution for Manufacturing automation applied for delivery process, welding, grinding etc, Robotic picking solution for logistics automation and Quadruped robot solution for inspecting industrial facilities.



PRODUCTS

Robot Sensor

Force/Torque Sensor



Smart 6 axis F/T Sensor
AFT200-D80



Ultra-thin Joint Torque Sensor
ATSB-Series



Miniature 6 axis F/T Sensor
AFT20-D15
AFT50-D15

Safety Sensor



Safety Cover Sensor (Prox. / Tact.)
ProxSKIN



Panoradar Sensor
ARS-5000

Smart Gripper

End of Arm Tool



Smart Gripper
SusGrip
SusGrip-FT



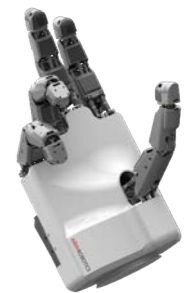
Gripper Module
AGM-G



Rotation Module
AGM-R



Suction Module
AGM-S



Robotic Hand
AIDIN hand

Robotics Automation System

Robotic Solution



Force Control Solution for Manufacturing Automation
Co-worker



Robotic Picking Solution for Logistics
PICKER



Industrial Facility Inspection Solution
AiDIN

Robot Controller



Real-time Robot Motion Controller
ARC6

Smart 6 axis F/T Sensor

Model AFT200-D80



Dimensions
80mm x 20.5mm

Applicable Robots

Universal Robots,
Doosan Robotics
Rainbow Robotics, Neuromeka,
Yaskawa, KUKA, Epson, Robostar
Other collaborative/industrial robots



Features

Smart 6-axis force/torque sensor

Essential sensor for robot wrists, enabling tool collision detection, tool weight compensation, force control, direct teaching tool, and object weight measurement

Excellent environmental resistance

4kV discharge test passed

IP56 obtained waterproof/dustproof rating



Applications

Industrial / Collaborative robot

Lead-thru device

Welding, sanding, grinding, assembly operations

Warehouse robot

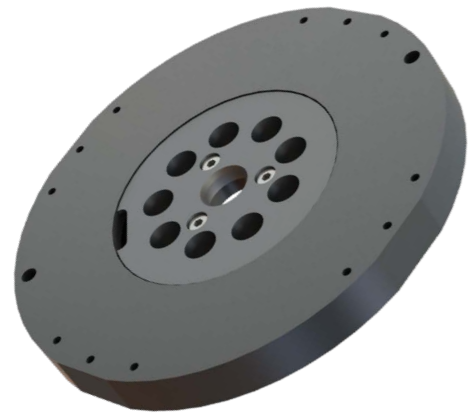
Smart Factory / Automation

Specifications

Index	Unit	Value		
		C (CAN)	EN (EtherNET)	EC (EtherCAT)
Operating voltage	VDC	5	12	12
Max. safe excitation voltage	VDC	12	24	24
Nominal force range	N	200		
Nominal torque range	Nm	15		
Limit force (Fxyz)	N	300		
Limit torque	Nm	25		
Resolution (Fxyz)	N	0.15		
Resolution (Txyz)	Nm	0.015		
Maximum sample rate	Hz	1,000		
Dimensions	mm	D80 x H20.5		
IP rating		IP56	IP65	IP65
Operating temperature		10-70 °C		

Ultra-thin Joint Torque Sensor

Model ATSB 50 / 100 / 200 / 400



Dimensions

ATSB 50 : 84mm x 14mm
 ATSB 100 : 100mm x 16mm
 ATSB 200 : 100mm x 18mm
 ATSB 400 : 120mm x 20mm

Applications Example

Collaborative Robot



Features

Ultra-thin joint torque sensor for collaborative and articulated robots

Ultra-thin joint torque sensor accurately and sensitively measures torque applied to robot joints, enabling precise collision detection and torque control in a compact design.

Excellent environmental resistance

4kV discharge test passed



Applications

- | Collaborative robot
- | Wearable robot
- | Medical device
- | Rehabilitation robot

Specifications

Index	Unit	ATSB50	ATSB100	ATSB200	ATSB400
Operating voltage	VDC	5			
Max. safe excitation voltage	VDC	10			
Nominal torque range (T_N)	Nm	50	100	200	400
Overload (related T_N)	%	300			
Resolution	Nm	0.03	0.05	0.1	0.2
Weight	g	120	190	210	310
Dimensions	mm	D84 x H14	D100 x H16	D100 x H18	D120 x H20
Sample rate	Hz	1,000			
Temperature		10-60 °C			
Interfaces		CAN (2.0 A/B)			
Connector		4 PIN VCC / GND / CAN_H / CAN_L			

Miniature 6 axis F/T Sensor

Model AFT20-D15
AFT50-D15



Dimensions
15mm x 10.5mm

Application Examples
Gripper



Features

The world's smallest 6-axis force/torque sensor

Suitable for mounting on the gripper's tip end to handle irregular objects such as food, rubber, and plastic injection-molded products without causing damage

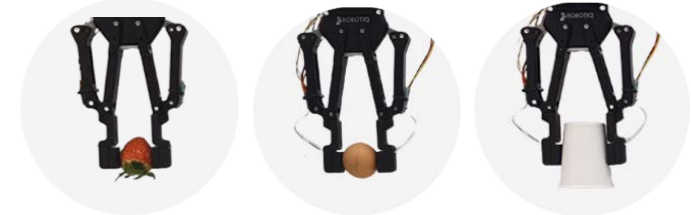
Applicable to VR, haptic devices, and medical fields as well

Excellent environmental resistance
4kV discharge test passed



Applications

Gripper



VR / AR device



Haptic device



Robot hand



Medical device



Specifications

Index	Unit	AFT20-D15	AFT50-D15
Operating voltage	VDC		5
Max. safe excitation voltage	VDC		10
Force range	N	20	50
Torque range	Nm	0.1	0.25
Break force	N	30	75
Break torque	Nm	0.15	0.35
Force resolution	N	0.2	0.3
Torque resolution	Nm	0.0005	0.001
Sample rate	Hz		100
Dimensions	mm	D15 x H10.5	
Weight	g	3.2	
Temperature		10-50 °C	
Interfaces		CAN	
Connector		FPC: 0.5 pitch, 8pin Length: 50, 100, 200 mm For User: CAN_H / CAN_L / VCC / GND	

Panoradar Sensor

Safety sensor for detecting all people and objects set on a wrist of co-bot without any blind spot

Model ARS-5000



Features

- | Safety sensor detecting an surrounding environment and any obstacles to make safe working environment for all workers
- | Obstacle Detection (Max 9m)
- | Providing a widen detecting scope and accuracy without any blind spot
(Presence detection / Segmentation / Motion / Tracking / Speed detection)
- | Range Resolution: 3cm
- | 360 degree detection FoV
- | Digital output interface (EtherNet)
- | Obtaining safety zone

Applications

- | Industrial robot / Collaborative robot
- | AMR / AGV
- | Delivery robot
- | Industrial robot for safety
- | Quadruped robot
- | Humanoid robot

Specifications

Index	Value	Description
Measurement principle	FMCW – 60GHz	Ultra-wide bandwidth 5.8GHz
Sensing functions	Presence Detection / Segmentation / Motion / Tracking / Speed Detection	
Measurement	Direction, Proximity and Speed	
Angles	4x (±45°) Azimuth 4x (±45°) Elevation FoV	
Working range	Min: 10cm / Max: 9m	Flexible adjustment of aperture angle and distance
Range resolution	Up to 3cm	
Response time	120Hz	Up to 1KHz
Supply voltage	6 – 28Vcc	
Number of detection zones	6 x 4	
Interfaces	EtherNet	RJ45, PoE
Operating temperature	-20 °C ... +70 °C	
Environment	Harsh environment	Rain / Dust / EMI / Fog
Objects detection	Various objects	Glass, wood, paper, human, metallic objects
Dimensions	Diameter: 80mm, thickness: 20mm	
Sensor package	All in one	Sensor body + PoE Cable

ProxSKIN

Safety Cover Sensor (Proximity / Tactile)

Model APS-Series



*Customizable design



Features

Proximity/tactile dual-mode safety cover sensor for robot with electromagnetic field sensing method

Safety cover sensor that help people and robots collaborate more safely by simply applying them to the appearance of cooperative robots or industrial robots to measure the distance between people or objects in advance of a collision

Field sensing technology enables 360-degree omnidirectional object measurement without blind spots

Enable a safer human-robot collaboration environment using flexible and soft materials

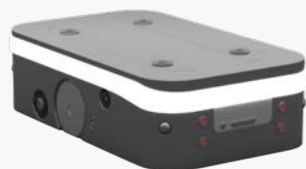
Applications

- | Industrial robot / collaborative robot
- | AMR / AGV
- | Warehouse robot
- | Industrial safety / Automation

Specifications

Index	Unit	Value
Operating voltage	VDC	6-28
Sensing range (ToF)	mm	1500
Sensing range (Field sensing)	mm	200
Sensing angle	Degree	360
Resolution	mm	10
Maximum sensing distance	mm	1500
Touch detection		Available
Material detection		Human, Metal, Wood, Plastic
Maximum sample rate	Hz	100
Thickness	mm	10-20
Operating temperature	°C	10-50
Interfaces		CAN, RS485

AGV / AMR



Universal Robots
UR5, UR10



Doosan Robotics
A0912



Smart Gripper

SusGrip

Model SusGrip / SusGrip-FT

Robot gripper providing many smart functions based on parallel motion

Susgrip



Susgrip-FT



Features

- A wide parallel motion, High-precision (Max 128mm)
- Smart function (Object Detection, Automated Lock)
- Precise force control mode with force sensor (Susgrip-FT model)
- High-speed and Strong power with BLDC motor
- Safe use (No pinch point)
- Intuitive GUI

Applications

- Various manufacturing process (Pick & Place) / Sorting / Handling / Palletizing / Assembly / Measure

Industry

- Semi-conductor / Service / Logistics / Healthcare / Retail

Specifications

Index	Unit	Value
Gripping force	N	90
Stroke	mm	0-128
Form-fit payload	Kg	5
Voltage	V	24
Max Current	A	2
Repetition accuracy	mm	0.1
Position resolution	mm	0.2
Speed	mm/s	60
Weight	gram	1215

Modular Gripper System

Modular grippers that can be combined freely according to the application environment

- | Gripper Module
- | Rotating Module
- | Suction Module

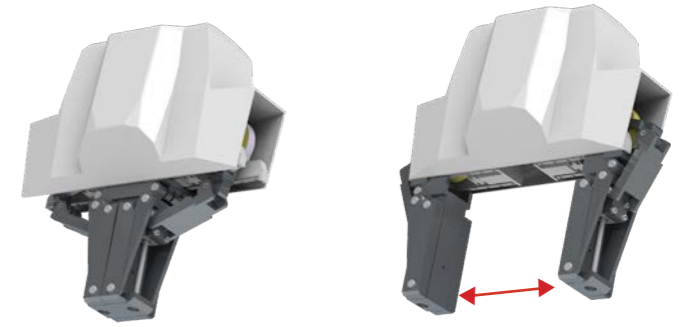


Combinations

- | Gripper + Suction Module
- | Rotation + Suction Module
- | Gripper + Suction + Rotation Module

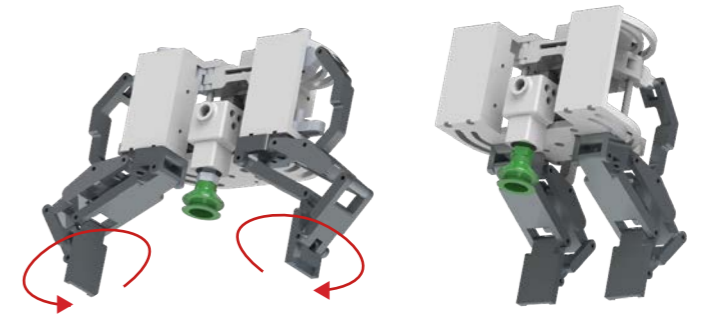
Gripper Module

- | Parallel gripper
- | Large range of motion 16 cm
- | Payload 5kg
- | Suitable for gripping general-shaped objects and assisting suction module



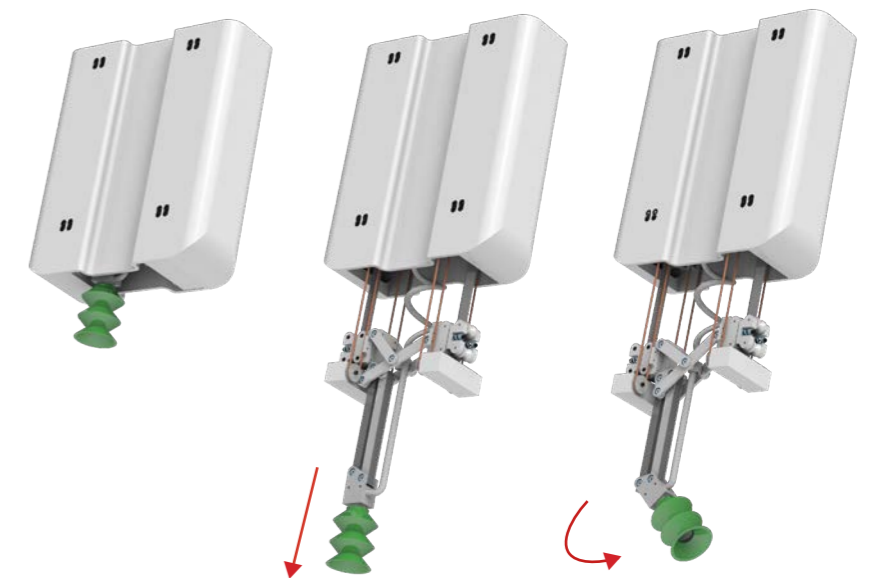
Rotation Module

- | A daptive gripper
- | 90-degree rotational structure
- | Supports high-load shelving object picking and provides suction assistance



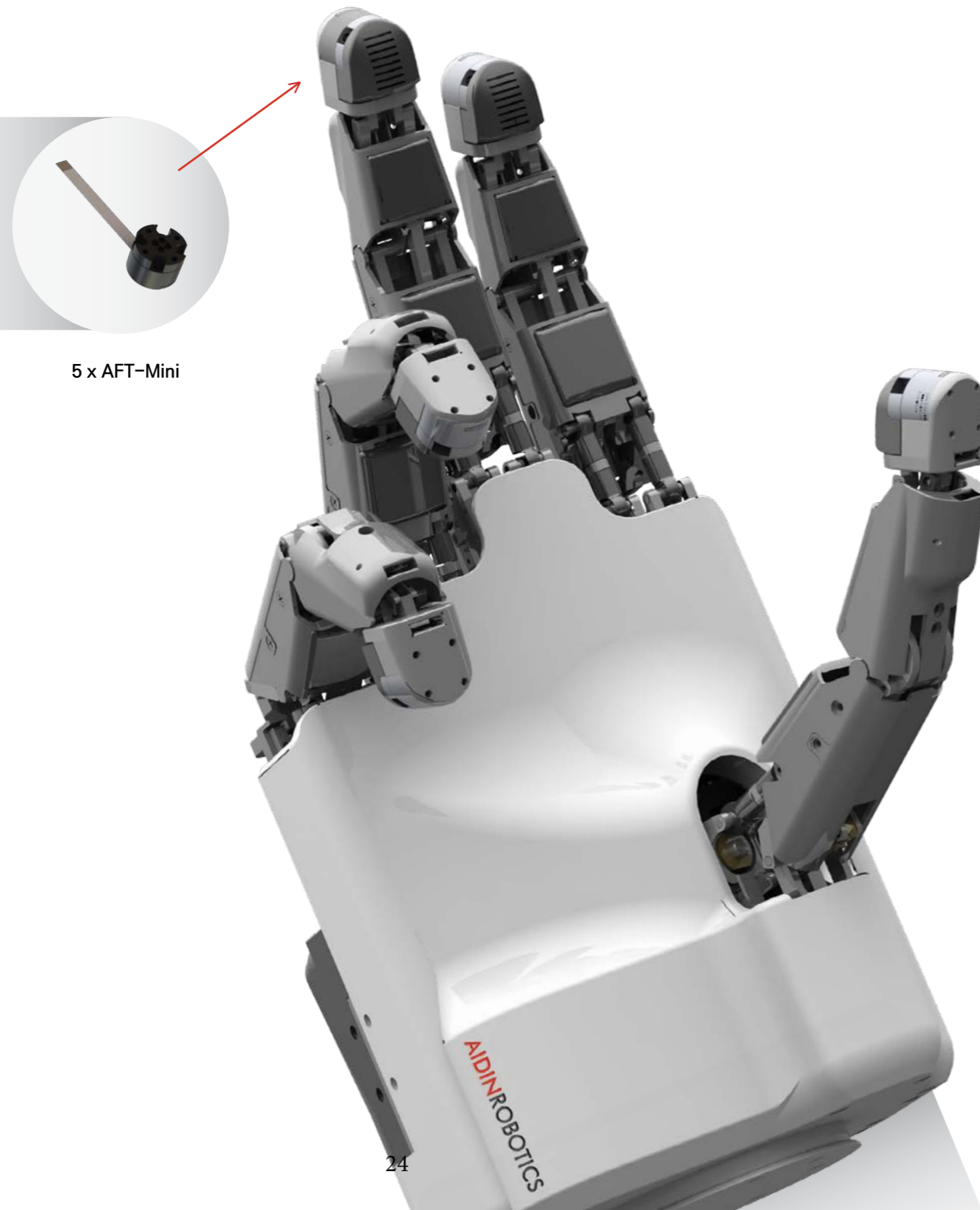
Suction Module

- | Vacuum adsorption gripper
- | Telescopic structure
- | Response depth 20 cm
- | Portable load 2 kg
- | Perfectly adapts to various depths and conditions of objects with linear and rotational capabilities



AIDIN HAND

Human-sized Robot Hand



5 x AFT-Mini

Features

AIDIN ROBOTICS' proprietary humanoid hand featuring a 6-axis force/torque (F/T) sensor on the fingertip

Dexterous future-proof picking system: Capable of various grasping modes (power, 3-point, pinch, etc.) suitable for different types of objects, and featuring integrated 6-axis F/T sensors, it can reliably handle delicate objects without causing damage

Human-level compact size and light weight

Link-driven mechanism: Offers both high precision and high force efficiency

Applications

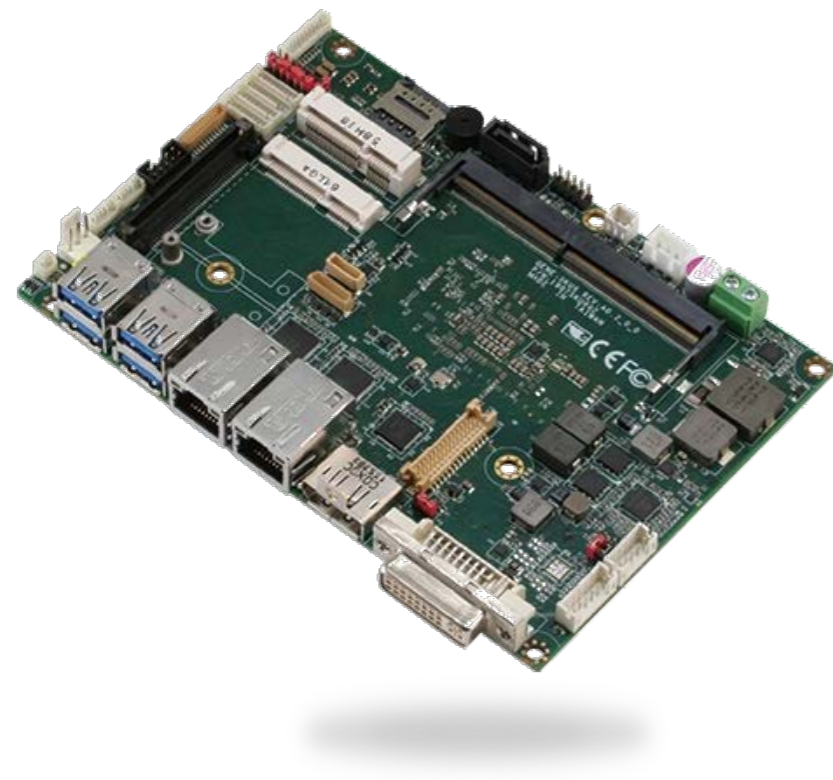
- | Industrial / Collaborative robot
- | Warehouse picking robot
- | Home-service robot
- | Prosthetic hand

Specifications

Index	Unit	Value
Grasping mode	Mode	Power Mode (cylindrical, spherical, etc.)
		Precision Mode (pinch, tripod, etc.)
Degree of Freedom (Finger)	DoF	3
Degree of Freedom (Hand)	DoF	15
Finger-tip force	N	20
Payload	kg	15
Size	mm	291 x 112 x 120
Weight	kg	1.3
Finger-tip sensor	EA	5
		(Miniature 6-axis F/T Sensor, AFT20-D15)

Real-time Robot Motion Controller

Model ARC6



Features

Real-time motion/force controller for collaborative robots, designed to be compatible with AIDIN ROBOTICS' sensor products

Equipped with Xenomai, EtherCAT, and ROS middleware

Applications

- | Industrial / Collaborative robot
- | Sanding, grinding, welding, assembly applications
- | Articulated robot control
- | Warehouse picking robot control

Specifications

Index	Value
CPU	6 th Generation Intel Core I Processor
CPU TDP	i7-6600U
Memory Type	DDR4 2133MHz
Power	9 - 36 VDC
Ethernet	Intel i210/i211, 10/100/1000Base-TX
Connection	DP X1, DVI-I X 1, USB 3.0 X 4, USB 2.0 X 2, COM ports (RS232, 422, 485)
Operating Humidity	0 - 90 %
Operating temperature	0 - 60 °C
Interfaces	EtherNET, EtherCAT
Operating System	RT-OS (Linux, Ubuntu, Xenomai)

Solution

Force Control Solution for Manufacturing Automation

- Smart Force/Torque Sensor-Based No-Code Automation Solution
- Immediate task automation through intuitive robot teaching
- Applicable to various tasks such as grinding, polishing, welding, and more



SANDING



POLISHING



GRINDING

Easy task teaching (points, trajectories, force, etc.)

Active surface force control technology through target force setting

Adaptable to various objects, including flat/curved surfaces, narrow areas, and more

Solution

Robotic Picking Solution for Logistics



- Effortless Object Recognition and Grasping:** Our cutting-edge logistics robot picking system is designed to recognize and grasp random objects without the need for any pre-registration process.
- Integrated AI Vision Technology:** We've developed our own AI vision algorithm, seamlessly integrated with a smart gripper capable of handling objects of various types and sizes. This integration allows our system to adapt to all objects found in logistics environments.
- Optimized Object Handling:** Through the unified control of both suction and the gripper, our system employs suitable grasping strategies to effectively handle objects, ensuring a seamless and efficient logistics operation.

Commercialized | Aidin's technologies



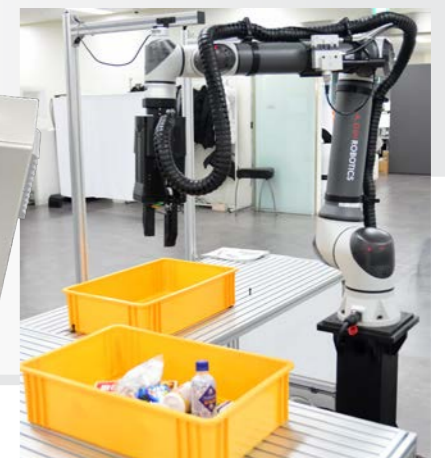
3D vision camera
(Commercialized)

Collaborative Robot
(Commercialized)

Smart Gripper
(Aidin's technologies)

Robot motion control
AI Vision & Picking Algorithm
(Aidin's technologies)

- Productivity : 600 pieces per hour
- Weight of graspable objects : 5kg
- Size of graspable objects : 160mm



Solution

Quadruped Robot for Industrial Facility Inspection Solution



Applications

Inspecting Hazardous Facilities



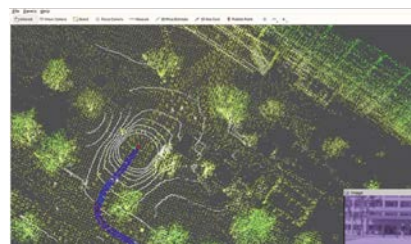
Smart city Security



Thermal Inspection



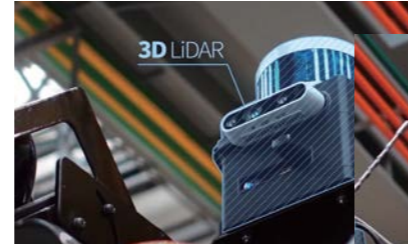
Monitoring Construction Sites



Military / Police / Firefighting



Construction and BIM



Features

This state-of-the-art mobile robot features legs that mimic human movements, enabling it to navigate various terrains such as stairs, rugged landscapes, and curved areas with ease. With its ability to inspect and scout hazardous environments, such as those involving chemicals and radioactivity, it has the potential to prevent dangerous accidents.

Quadruped robot solution for **management and maintenance work** in all facilities, power plants, chemical plants and any harmful or inferior environment

Customize the robot function based on modular design following **any customer's request** and easy maintenance

Provide the customizable solution **attached with other equipment** (thermal, monitor, noise, vibration, gas)

Specifications

Index	Unit	Value
Length	mm	1,300
Width	mm	650
Weight	kg	50
Max speed	m/s	1.2
Battery capacity	Wh	1,440
Operating voltage	VDC	48
Operating time (typical)	Hours	2
Operating time (standby)	Hours	6
Payload (normal)	kg	10
Payload (maximum)	kg	20
Connectivity	802.11 Dual-band WiFi, LTE	
Optional Equipment	Optical Camera, Thermal Camera, Mic	



AIDIN ROBOTICS

Website www.aidinrobotics.co.kr
Facebook www.facebook.com/aidinrobotics
Youtube www.youtube.com/c/aidinrobotics

Email sales@aidinrobotics.co.kr

**Headquarters/
Research Institute** 5F, 12-20, Simin-daero 327beon-gil, Dongan-gu, Anyang-si, Gyeonggi-do, South Korea

Factory 4F, 12-20, Simin-daero 327beon-gil, Dongan-gu, Anyang-si, Gyeonggi-do, South Korea

Phone +82 031 360 7926