

ROKAE

Industrial Robot Series

XB4 Series



More intelligent, more efficient

Product Advantages

High Precision & High Speed, Efficient Production

- Satisfactory quality and takt time for customers thanks to the amazing stability and best-in-class motion control

Efficient Protection, Worry-Free Operation

- Overall IP67 protection rating provides adequate protection against extreme conditions

Compact Design, Easy to Deploy

- Easy deployment is made possible by the internal cables and compact design

Applications



Handling



Loading & unloading



Deburring



Assembly



Inspection



Gluing



Packaging

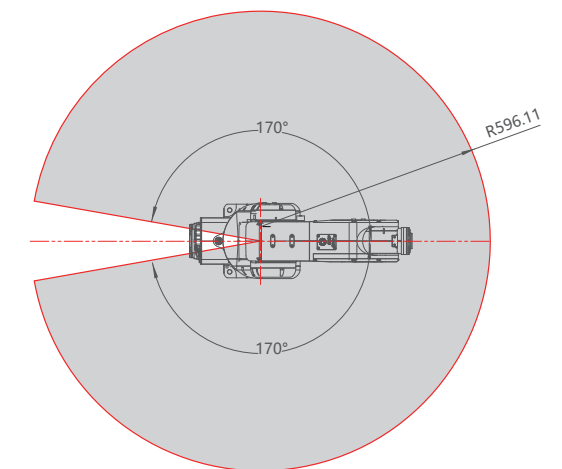
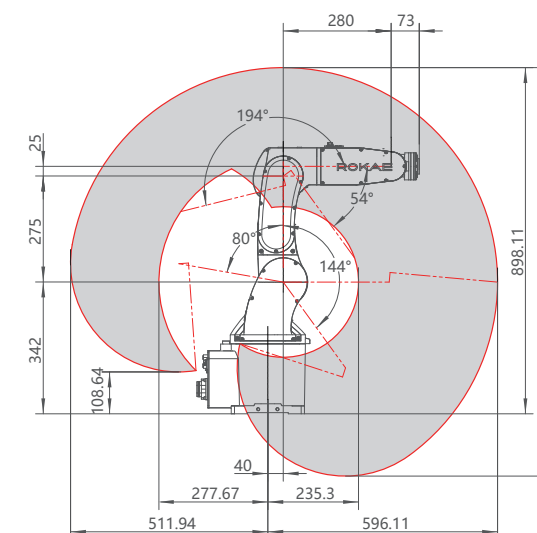


Specifications

Body Specifications

| Model | | XB4 |
|-----------------------|--------|------------------------|
| DOF | | 6 |
| Reach | | 596 mm |
| Repeatability | | ±0.02 mm |
| Payload | | 4kg |
| Range of motion | Axis 1 | -170° to +170° |
| | Axis 2 | -80° to +144° |
| | Axis 3 | -194° to +54° |
| | Axis 4 | -170° to +170° |
| | Axis 5 | -119° to +119° |
| | Axis 6 | -360° to +360° |
| Maximum speed | Axis 1 | 440°/s |
| | Axis 2 | 355°/s |
| | Axis 3 | 440°/s |
| | Axis 4 | 490°/s |
| | Axis 5 | 450°/s |
| | Axis 6 | 720°/s |
| Operating temperature | | 0°C to +40°C |
| Storage temperature | | -10°C to +55°C |
| IP rating | | IP67 |
| Mounting method | | Floor, Ceiling |
| Noise level | | ≤70dB(A) |
| Weight | | About 32kg |
| AIR | | 4-Φ4, 5bar |
| Signal | | 8 channels (30V, 0.5A) |

Working range



ROKAE



ROKAE Robotics

400-010-8700
www.rokae.com
sales@rokae.com